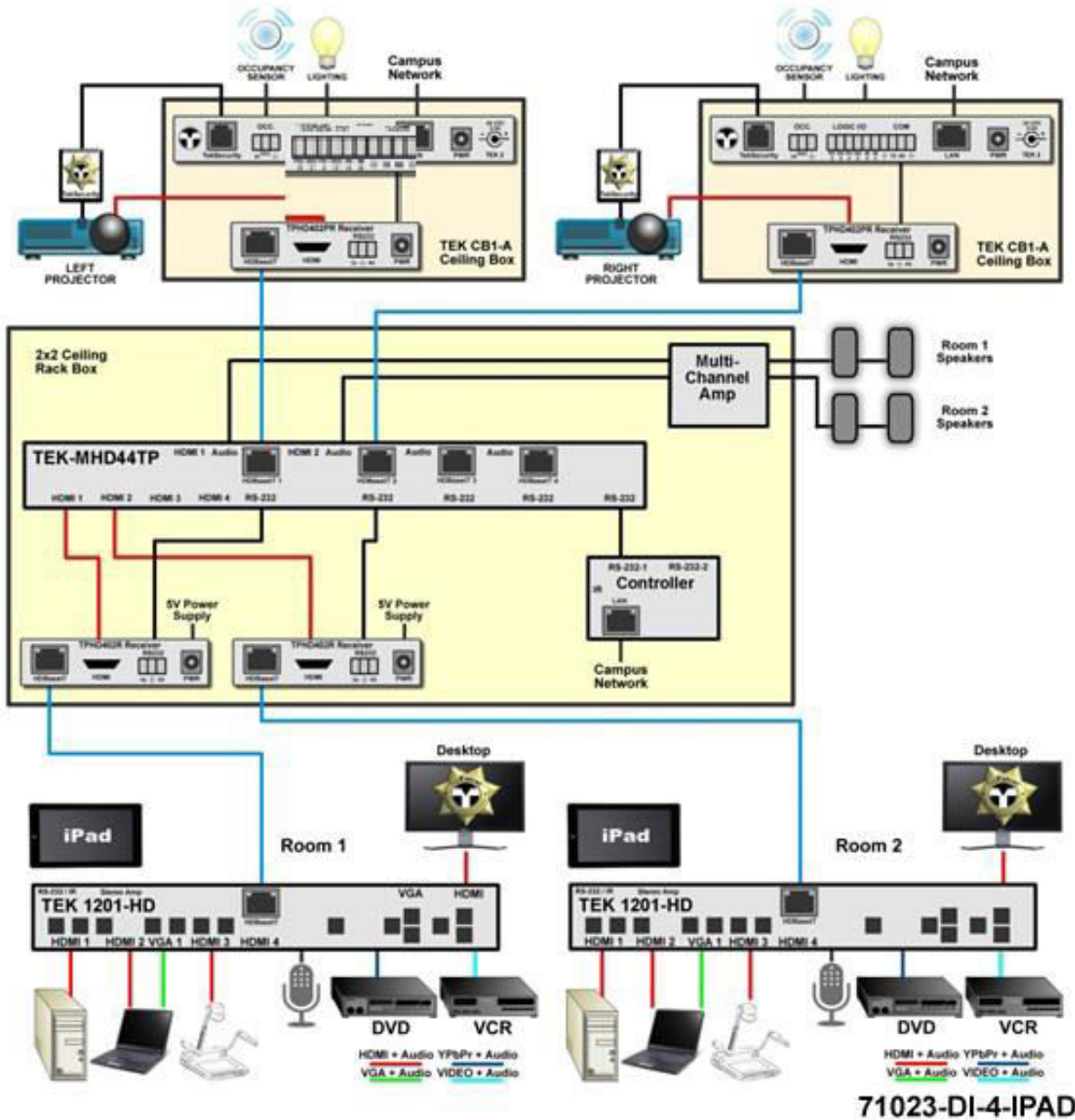


One of the preferred methods of a room combining solution is when four individual rooms can amalgamate into only one. Each room in a 71023-DI-2-IPAD Solution consists of a TEK 1201 with iPad controller which connects to a TEK MHD44TP 4x4 HDBaseT matrix. When they become separated, the rooms route to their own projectors. When they are put back together, the initiating room routes to all the other rooms. The TEK MHD44TP can either be mounted in a small rack or a 2x2 ceiling rack such as the FSR CB-224.



The following is included in a Standard Classroom 71023-DI-4-IPAD:

Part #	Description	Qty.
70001	TEK 2 - TekMonitor	4
10030	TekMonitor Power Supply	4
78001	TekSecurity With 4' RJ12 Cable	4
*78006	TekSecurity Cable for projector	4
78002	SR Occupancy Sensor	4
78038	TEK CB1-A Ceiling Box	4
78036	TEK TSC7 Table Top Cubby	4
79033	TEK 1201-HD with receiver	4
79040	TEK TPHD402PR HDBaseT receiver	4
Custom	Room Combining Controller Plus Software	1
Custom	iPad Software	4
Custom	TEKVOX Single-Client Perpetual License	1

*TekSecurity cables are ordered for the different types of displays.