

Multi-Technology Wall/Corner Occupancy Sensor



BASIC OPERATION

Occupancy sensors have two tasks: 1) Keeping the lights ON while the room is occupied, and 2) Saving energy by keeping the lights OFF while the room is unoccupied.

Passive Infrared (PIR) is an excellent and precise technology for initially turning the lights ON, but lacks sensitivity for minor motion at distances. Ultrasonic (U/S) technology provides maximum sensitivity with continuous reflective high frequency waves. This is optimal for keeping the lights ON.

Leviton's OSW12 sensor combines the benefits of both PIR and U/S technologies for unrivaled performance and reliability.

APPLICATIONS

- Cafeterias
- Conference rooms
- Day care centers
- Offices with cubicles
- Partitioned restrooms
- Open warehouses
- Executive, private and open offices
- Classrooms
- Computer rooms
- Filing rooms
- Open areas
- Storage rooms
- Workspaces

FEATURES

- Multi-Technology: By using both PIR and U/S signals, the sensor minimizes false triggering for high reliability.

- Flexible Base Mounting: Supplied twist-and-lock base mount permits fast alignment. Supplied cover hides mounting hardware and wires. Can be used with raceways for hard surface installations. Adjustable canopy for wall or ceiling mount.
- Wide Coverage: Over 1200 sq. ft of coverage.
- Fast, Simple Installation: A single mounting post and three color coded wires make installation easy.
- Self-Adjusting: Internal microprocessor continually analyzes, evaluates and adjusts sensitivity and time delay settings. Performance is kept at a maximum and user complaints are eliminated.
- Non-Volatile Memory: Learned and adjusted settings saved in protected memory are not lost during power outages.
- Timer Setting Feature: Automatic - 30sec - 30min. Test mode - 6sec with auto exit programming.
- Ambient Light Recognition: A Light Sensor prevents lights from turning on when the room is adequately lit by natural light.
- Walk-Through: Provides increased energy savings by decreasing the time delay to 2.5min when someone momentarily walks through the monitored space.
- Custom off-white color matched for shaded ceiling/corner spaces and most common ceiling tiles.
- Uses OSPxx Series Power Pack: Uses Class 2, 24 volt wiring, three wire connection (low voltage). Multiple sensors can control single or multiple power packs.
- Power base (OPB 15) available for line voltage applications
- High Motion Sensitivity: The large lens area and multi-element lens design give excellent range and sensitivity.
- Infrared Sensing: High sensitivity 9.8 micron detector dual element.
- Device: High-impact housing and injection molded plastic. Color coded wire leads are 6" long (16.24 cm).
- Lens: 110° aperture, lens opening 2.2" x 1.47", 36 elements (72 zones) small motion range 31 ft, large motion 68 ft

HOW THE OSW12-M AUTOMATICALLY ADAPTS

Condition	Example	Self-Adaptive Reaction
Timer Left In Test Mode - The sensor remains in an 6 sec. test mode.	An installer accidentally leaves the sensor in the 6 sec. timer test mode and the lights may go off or on every 6 sec.	The sensor automatically resets the timer to 10 min after 15 min of test mode.
False-On - The sensor incorrectly turns the lights on.	The sensor detects movement in the corridor or hall way and the room lights turn on.	After an initial movement is sensed, if another movement is not sensed within the timer setting then the delayed off time setting is automatically reduced.
False-Off - The sensor incorrectly turns the lights off.	The sensor does not detect movement because an occupant sits virtually motionless at a desk and the lights turn off.	If motion is sensed within a short period after the lights go off, then the current delayed off-time setting is increased.

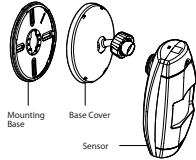
Leviton Mfg. Co., Inc. Lighting & Energy Solutions

201 N. Service Rd. Melville, NY 11747-3138 Tech Line: 1-800-824-3005 Fax: 1-800-832-9538 www.leviton.com/les
 © 2011 Leviton Manufacturing Co., Inc. All rights reserved. Subject to change without notice.

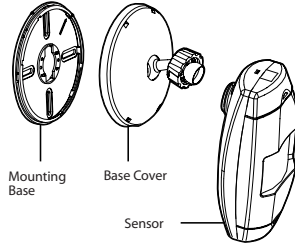
PRODUCT DATA



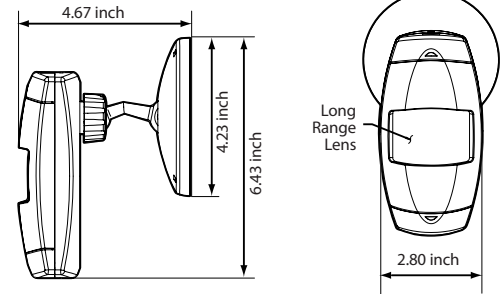
ADJUSTMENT RANGE



MOUNTING BRACKET



DIMENSIONS



DIP SWITCH SETTINGS			
SWITCH	BANK A	SWITCH FUNCTIONS	SWITCH SETTINGS
	OFF	ON	
A1	N/A	Multi-Tech	Single Tech
A2	N/A	PIR	Ultrasonic
A3	Manual Mode	Auto Adapting Enabled	Auto Adapting Disabled
A4	Walk-Thru Disable	Walk-Thru Enabled	Walk-Thru Disabled
	BANK B		
B1	Override to On	Auto Mode	Lights forced On
B2	Override to Off	Auto Mode	Lights forced Off
B3	Test Mode	OFF'ON'OFF	Enter/Exit Test Mode
B4	LED Disable	LEDs Enabled	LEDs Disabled

*Bold items are factory defaults

SPECIFICATIONS

ELECTRICAL

Power Requirements	24 VDC, 25 mA (.6W) from OSPxx Power Pack or OPB15 Power Base
Power Consumption	25mA Stand-by
Output	24 VDC active high logic control signal with short circuit protection

CONTROLS

Ultrasonic (U/S) Sensitivity	0 to 100%: red knob (factory setting: 75%)
Infrared Sensitivity	0 to 100%: green knob (factory setting: 50%)
Light Sensor	Blue knob 20 to 3,000 Lux. Factory set at 100% (Grey wire required)
Time Delay	30sec-30min; black knob (Factory setting: 10min)

INDICATORS

Red LED	Infrared motion technology
Green LED	Ultrasonic (U/S) motion technology

ENVIRONMENTAL

Operating Temperature Range	32°F to 104°F (0°C to 40°C)
Relative Humidity	0% to 95% non-condensing, for indoor use only

OTHER

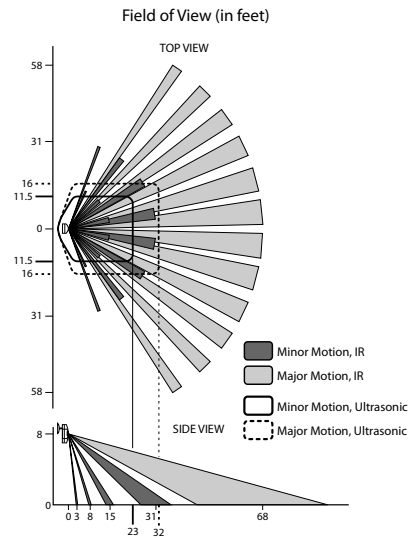
Mounting Height	8-10 feet
Listings	CUL/US Certified, meets ASHRAE Standard 90.1 and CEC Title 24 requirements
Warranty	Limited Five-Year Warranty

ORDERING INFORMATION

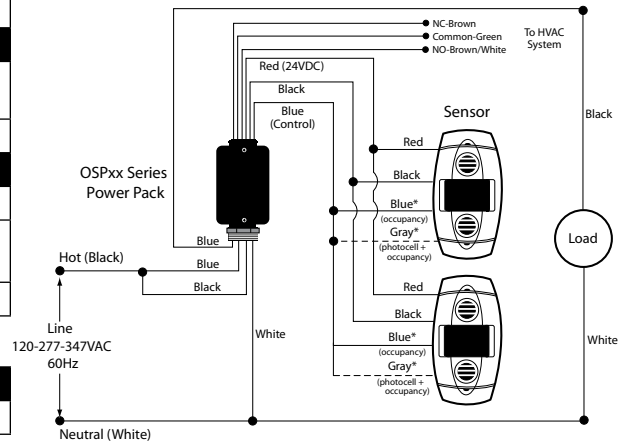
CAT NO.	DESCRIPTION
OSW12-MoW	Multi-Technology Wall/Corner Occupancy Sensor

NAFTA compliant and Made in USA models available

FIELD-OF-VIEW



PHYSICAL WIRING



OSW12-MoW

Leviton Manufacturing Co., Inc. Lighting & Energy Solutions

201 N. Service Rd. Melville, NY 11747-3138 Tech Line: 1-800-824-3005 Fax: 1-800-832-9538 www.leviton.com/les

Leviton Manufacturing of Canada, Ltd.

165 Hymus Boulevard, Pointe Claire, Quebec H9R 1E9 • Telephone: 1-800-469-7890 • FAX: 1-800-563-1853

Leviton S. de R.L. de C.V.

Lago Tana 43, Mexico DF, Mexico CP 11290 • Tel. (+52) 55-5082-1040 • FAX: (+52) 5386-1797 • www.leviton.com.mx

Visit our Website at: www.leviton.com/les

© 2011 Leviton Manufacturing Co., Inc. All rights reserved. Subject to change without notice.

G-7732A/G10-cb