

TEK CB1-A Plenum Rated Ceiling Box



INSTALLATION INSTRUCTIONS



TEK CB1-A Plenum Rated Ceiling Box
Model Number: 78038
Revised 3-10-2015

TEK CB1-A Plenum Rated Ceiling Box

Contents

WEIGHT LIMIT	4
MAXIMUM WEIGHT: 50 LBS.	4
WARNING STATEMENTS	4
READ INSTRUCTIONS	4
INSTALLATION PROCEDURES	4
SAFETY MEASURES	4
ELECTRICIAN REQUIREMENTS.....	4
LIABILITY.....	4
PRODUCT USE	5
DESCRIPTION	5
FEATURES	5
INSTALLATION	6
INTRODUCTION	6
PARTS LIST	6
<i>Main Components</i>	6
<i>Hardware</i>	6
LID REMOVAL	6
LOCATION.....	7
CABLE SUPPORT.....	7
<i>Ceiling Truss</i>	7
<i>Wood Studded Ceiling</i>	7
<i>Concrete Ceiling</i>	7
<i>Installation of Kwik-Loc Cable Joiner</i>	7
ELECTRICAL	8
EQUIPMENT TRAY INSTALLATION	8
TECHNICAL SPECIFICATIONS	9
DRAWINGS	10
LIMITED WARRANTY	11
DISCLAIMER	11

Weight Limit

Maximum Weight: 50 lbs.

BEFORE INSTALLING THE TEK CB1-A, THE CEILING STRUCTURE MUST BE CAPABLE OF SUPPORTING AT LEAST FIVE TIMES THE GROSS WEIGHT OF THE CEILING BOX. USE ONLY APPROVED MOUNTING METHODS BASED ON LOCAL BUILDING CODES. SAFETY CABLES MUST BE INSTALLED AS REQUIRED BY LOCAL BUILDING CODES.

Warning Statements

Read Instructions

PRIOR TO THE INSTALLATION OF THIS PRODUCT, THESE INSTRUCTIONS MUST BE READ AND COMPLETELY UNDERSTOOD BY A QUALIFIED INSTALLATION TECHNICIAN.

Installation Procedures

DURING INSTALLATION OF THIS PRODUCT, A QUALIFIED INSTALLATION TECHNICIAN MUST FOLLOW ALL PROPER INSTALLATION PROCEDURES OUTLINED IN THIS MANUAL. FAILURE TO DO SO COULD RESULT IN PROPERTY DAMAGE, SERIOUS PERSONAL INJURY, OR EVEN DEATH.

Safety Measures

THE INSTALLATION TECHNICIAN MUST USE PROPER SAFETY PRECAUTIONS, EQUIPMENT, AND TOOLS FOR THE ASSEMBLY AND INSTALLATION PROCEDURE OF THE EQUIPMENT TO PREVENT PERSONAL INJURY.

Electrician Requirements

ALL HIGH VOLTAGE CONNECTIONS MUST BE PERFORMED BY A LICENSED ELECTRICIAN. DO NOT REMOVE ANY SCREWS OR COMPARTMENT LABELED AS HIGH VOLTAGE.

Liability

TEKVOX, INC. DOES NOT WARRANT AGAINST DAMAGE CAUSED BY THE IMPROPER INSTALLATION AND USE OF TEKVOX PRODUCTS OR OTHER MANUFACTURER'S PRODUCTS INSTALLED IN THIS PRODUCT. TEKVOX, INC. IS NOT RESPONSIBLE AND SHALL NOT BE HELD ACCOUNTABLE FOR ANY UNAUTHORIZED MODIFICATIONS OR ATTACHMENTS TO THIS PRODUCT CAUSING ANY DAMAGES, DEMANDS, CLAIMS, SUITS, ACTIONS, OR CAUSES OF ACTION OF WHATEVER KIND.

TEK CB1-A Plenum Rated Ceiling Box

Product Use

This product is intended for indoor use only. Use of this product outdoors may lead to product failure and/or serious personal injury.

Do not install near sources of high heat or a structure that is prone to vibration, movement, or chance of impact.

Description

The TEK CB1-A is designed to be installed into a standard 2' x 2' or 2' x 4' ceiling tile and allows for easy installation and service of audiovisual and lighting equipment. Included in this box are internal electrical power outlets and below-ceiling connections for power, HDMI, and control. This allows for the use of non-plenum cables to a projector.

TEKVOX supplies this box with system solutions called Drop-Ins. These systems are preconfigured audiovisual solutions for classrooms and offices. There is no programming required, and in most cases, installers only need to make the connections for the system to be up and running.

Features

- Plenum-rated storage solution for non-plenum equipment
- Fits in 2' x 2' or 2' x 4' ceiling tile
- Outer edge dimensions – 23.75" x 14" x 5"
- Provides electrical power for inbox equipment and below-ceiling power for video projector
- Provides HDMI in-box connection for HDMI receiver and below-ceiling power for video projector
- Provides in-box TEKVOX TekSecurity for TekMonitor and below-ceiling power for video projector. Can be easily converted for standard RS-232 connection
- Removable Equipment Tray - Provides unlimited options to secure a variety of A/V and lighting control equipment within the case
- Optional High Voltage Lighting compartment (110 volts to 277 volts) - Provides secure space for wiring of lighting control equipment
- High Voltage Main power compartment (110 volts) - Provides secure space for duplex electrical receptacles inside box and optional exhaust fan. Below the ceiling, it provides electrical receptacle for video projector, HDMI, and TekSecurity control connections
- Includes the Rize Kwik-Loc Cable Kit for ceiling support
- Perforated Lid - Provides ventilation and access from below the ceiling to equipment. Individual designs can be requested
- Knockouts - 1" and 3/4" knockouts provide electrical conduit connector access

Installation

Introduction

Please thoroughly read these instructions before installing this product. Take the time to fully understand the components and the required tools to safely complete the installation. Observe warnings and use proper safety equipment and procedures at all times.

Parts list

Main Components

- TEK CB1-A Ceiling Case (Qty. 1)
- Removable Cover (Qty. 1)
- Partition, Electrical outlets, Fan (Optional), (Qty. 1)
- Equipment Tray (Qty. 1)
- Optional High Voltage vertical panel (Qty. 1)
- Optional High Voltage top panel (Qty. 1)

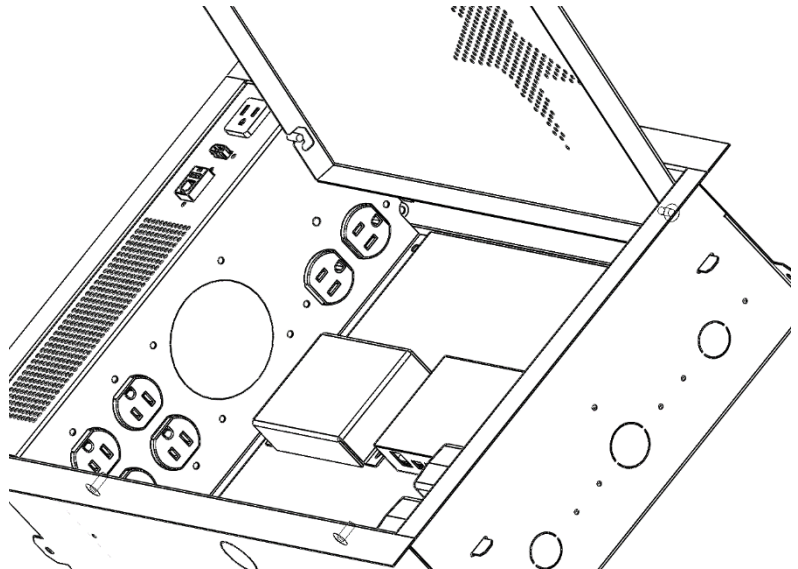
Hardware

- Quick Locks (Qty. 4)
- 1/16" Braided Cable (Qty. 4 Strands)
- Thread-Forming Screws, Pan Head Phillips, 8-18 Threaded, 1/4" L (Qty. 12)

Make certain that all components are included in this package before starting installation. If any components are damaged or missing, STOP and call TEKVOX, Inc. at 210.348.6565.

Lid Removal

- Unlatch and swing the lid up. You may need a wire hook to pull the lid up, or just tilt the box.
- Push the lid in towards the bottom and away from the metal hinges.
- Angle the lid so that you can pull it away from the metal hinge.
- Carefully remove the lid out from the ceiling box.



TEK CB1-A Plenum Rated Ceiling Box

Location

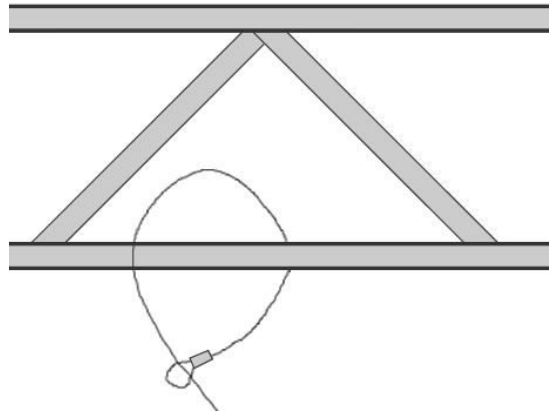
It is very important to mount the TEK CB1-A close enough to the projector for the 4' cables to reach, but not so close that you cannot fully open the ceiling box lid. The area above the ceiling box will need to be opened in order to install the supporting cables. Remove the ceiling tile and place it in a safe area.

Cable Support

Installing ceiling boxes without proper cable support is dangerous and can harm or kill someone. If you don't feel comfortable installing these cables, we suggest that you contact a professional who can do it for you.

Ceiling Truss

Most installations will use a ceiling truss and require very little effort. Simply loop the end of the braided cable around the truss and pull it tight through the eye of the cable. Do the same for the other 3 cables.



Wood Studded Ceiling

When installing with a wood studded ceiling, use four 1/4" x 3" eye lag screws. These are not supplied with the ceiling box. Drill a 1/8" hole into the stud and secure the screw into the wood. Place the end of the braided cable through the eye of the lag and pull it tight through the eye of the cable. Do the same for the other 3 cables.

Concrete Ceiling

For concrete ceiling installations, use four M6 Eye bolts. These are not supplied with the ceiling box. Using a 1/8" masonry drill bit drill a hole into the concrete and secure the screw into the concrete by tapping it into place and tighten it down. Place the end of the braided cable through the eye of the lag and pull it tight through the eye of the cable. Do the same for the other three cables.

Installation of Kwik-Loc Cable Joiner

Step 1

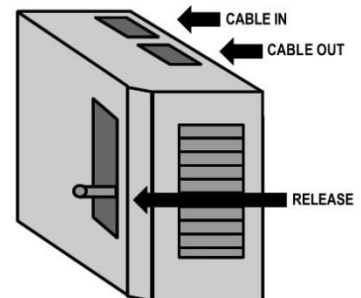
First pass the end of the wire rope around the anchor point. This could be any of the above mentioned ceiling supports.

Step 2

Pass the end of the wire rope through the cable loop and pull the end tight around the anchor point.

Step 3

Pull the adjustment pin back on the Kwik-Loc and pass the end of the wire rope through the cable input opening.

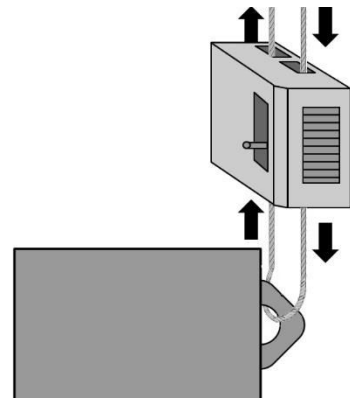


Step 5

Place the ceiling box into the into the ceiling grid fame. Make certain that the direction of the ceiling box is correct before continuing.

Step 6

Pull the end of the wire rope through the mounting hole on the ceiling box and loop it back through the Kwik-Loc cable outlet. Adjust the tightness of the cable so that it is not pulling the box up from the ceiling. Once completed, cut off the excess cable.

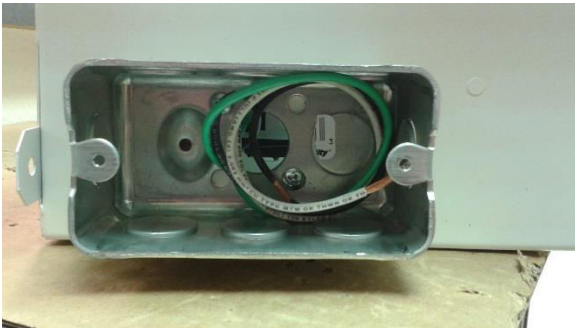


Electrical

On the main electrical side of the ceiling box is a junction box which contains the main power leads for the ceiling box. This junction box makes it very easy to supply main power (120 volts at 60 Hz 15 amp only) to the ceiling box. The wires are 14 gauge stranded.

Wire color

- Black (Line Hot)
- White (Neutral)
- Green (Building Ground)



TEK CB1-A Plenum Rated Ceiling Box

Equipment Tray Installation

For ease of installation of equipment, a removable equipment tray comes attached to the inside base of the ceiling case. The equipment tray can be easily removed by loosening the four screws at the corners of tray and sliding the tray. Additional mounting screws are packaged separately within the ceiling cases. Installers may pre-wire the equipment tray prior to the TEK CB1-A ceiling box installation.

The current equipment mounting holes allow for placement of TEKVOX equipment. Other equipment can easily be installed by drilling a 1/8" hole and using the supplied mounting screws. Thread-Forming Screws, Pan Head Phillips, 8-18 Threaded, 1/4" Length. Do not over tighten the mounting screws.



Technical Specifications

AGENCY APPROVALS



4008930

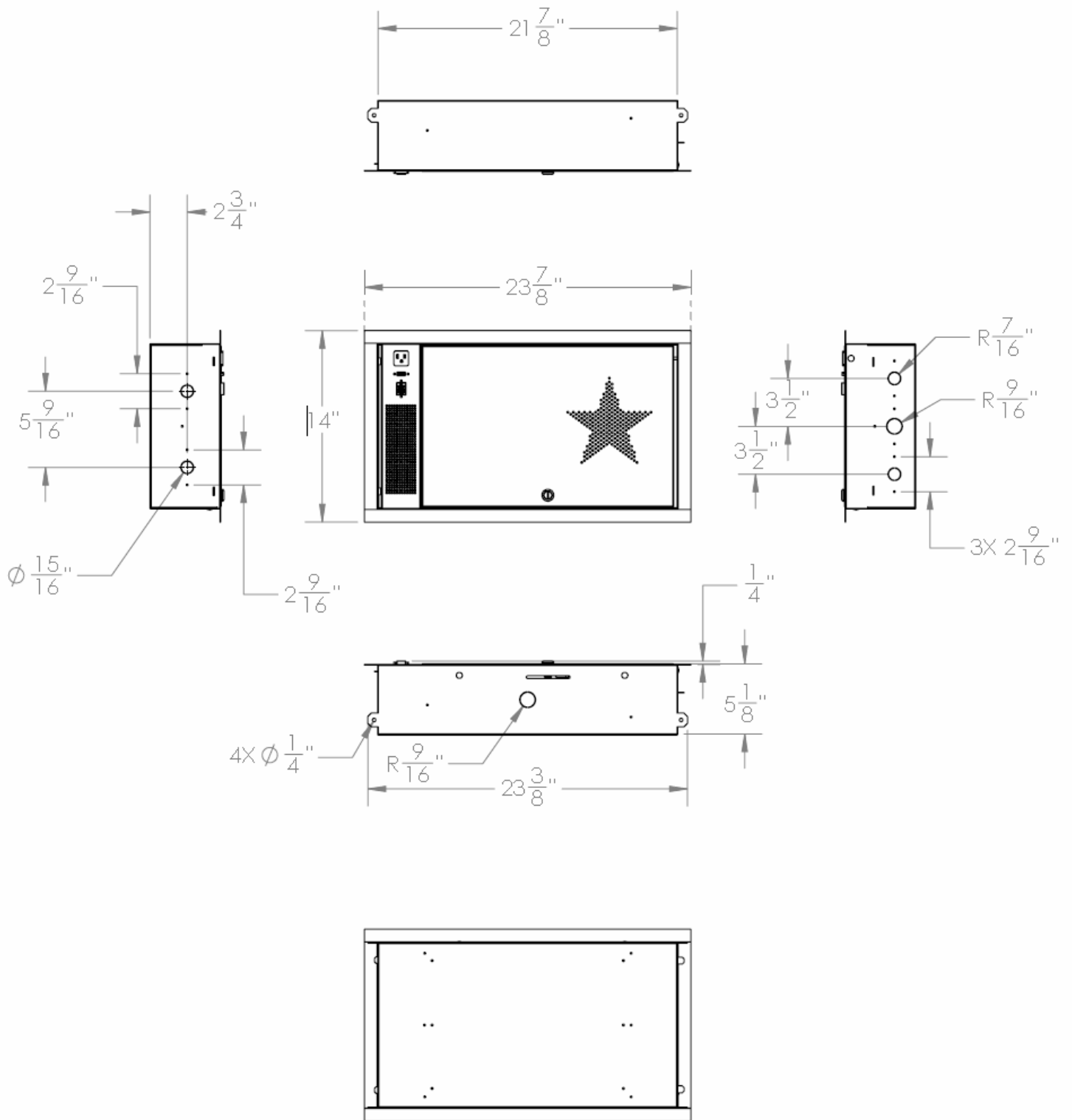
PLENUM RATED:

Conforms to UL 2043: UL Standard for Safety Fire Test for Heat and Visible Smoke Release for Discrete Products and Accessories Installed in Air-Handling Spaces

SAFETY RATED:

Conforms to UL 60950-1: Information Technology Equipment - Safety and certified to CSA 22.2 60950-1: Safety of Information Technology Equipment

Model Number	78038
Size	23.75" x 14" x 5"
Weight	13 lbs
Gross Weight	50 lbs
Shipping Weight	17 lbs
Main Line Power	120V 60 Hz maximum 15 AmpsDrawings



TEK CB1-A Plenum Rated Ceiling Box

LIMITED WARRANTY

TEKVOX, Inc. warrants this product against defects in workmanship and materials for a period of Three Years from the date of purchase. During the warranty period, if failure is caused from faulty workmanship and/or materials, TEKVOX, Inc. will, at its option, repair or replace said products or components, to whatever extent it shall deem necessary to restore said product to proper operating condition, provided that it is returned within the warranty period, with proof of purchase and description of malfunction.

This Limited Warranty does not apply if fault is caused by misuse, improper handling, electrical or mechanical abuse, abnormal operating conditions, or non-TEKVOX authorized modifications to said product.

If it has been determined product is defective, please call TEKVOX and ask for an Applications Engineer at (210) 348-6565 (USA) to receive an RMA # (Return Material Authorization Number) to begin the repair process as quickly as possible.

Units must be returned with prepaid shipping charges. Please insure package. If not insured, you assume the risk of loss or damage during shipment. Returned units must include the serial number and a description of the problem, as well as the contact person in case there are any questions.

TEKVOX, Inc. makes no further warranties either expressed or implied with respect to said product, or its quality, performance, or operation for any particular use. In no event will TEKVOX, Inc. be liable for direct, indirect, or consequential damages resulting from any defect in this product even if TEKVOX, Inc. has been advised of such damage. Please note that laws vary from state to state and country to country, and that some provisions of this warranty may not apply to you.

Disclaimer

TEKVOX, Inc. intends to make this manual accurate and complete. However, TEKVOX, Inc. makes no claim that the information contained herein covers all details, conditions or variations, nor does it provide for every possible contingency in connection with the installation or use of this product. The information contained in this document is subject to change without notice or obligation of any kind. TEKVOX, INC. makes no representation of warranty, expressed or implied, regarding the information contained herein. TEKVOX, Inc. assumes no responsibility for accuracy, completeness, or sufficiency of the information contained in this document.