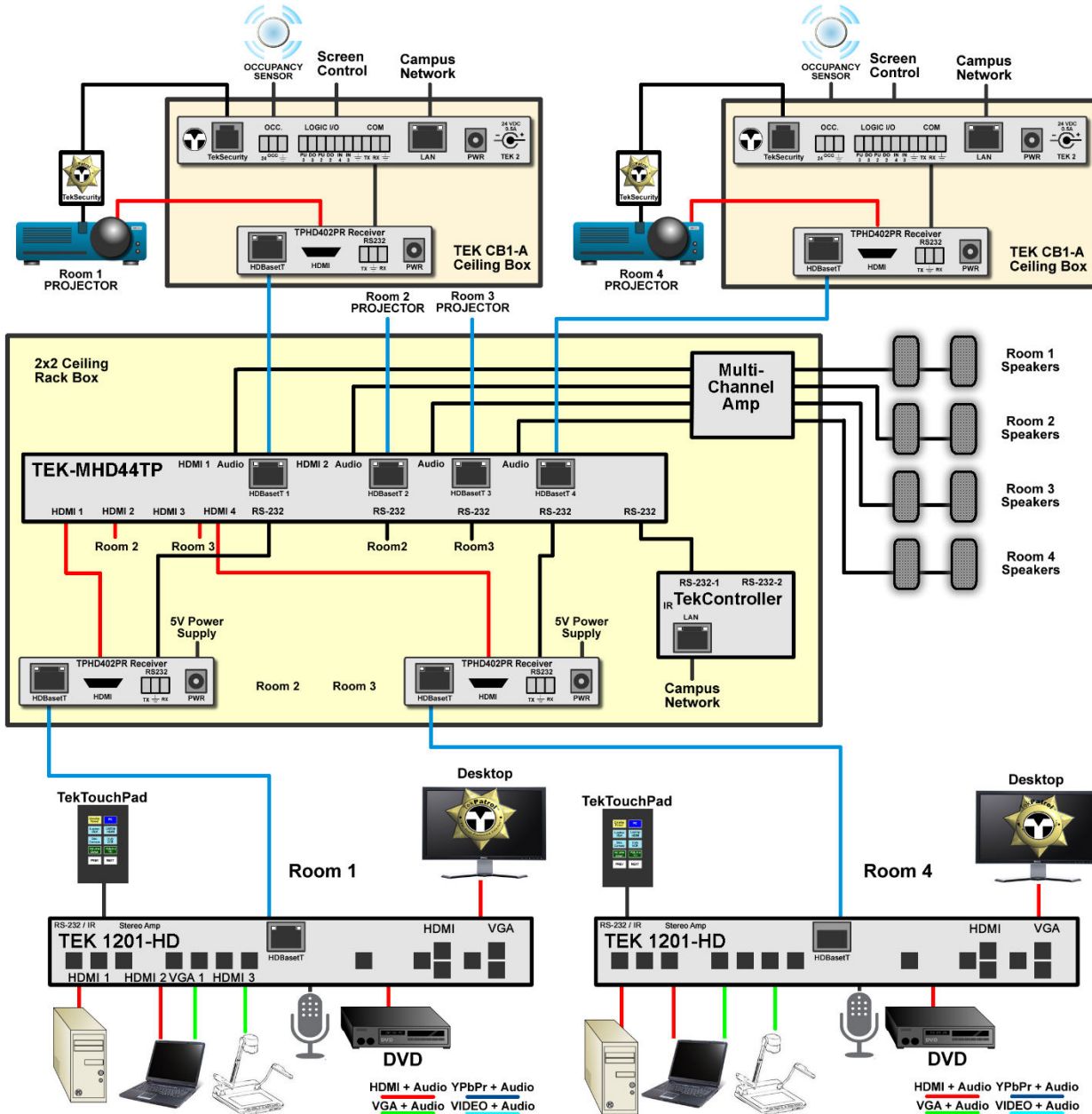


Room combining can become very expensive, especially when video matrix and DSP audio systems are required. These also require a lot of expensive software in order to work correctly. With the TEKVOX 71030 3 Room Combining Drop-In, you'll receive everything needed to combine and separate three rooms, including control software. This is achieved using TEK 1201 presentation switchers for individual rooms and one TEK-MHD44TP HDBaseT 4x4 matrix switcher to connect them.



The following is included in a TEKVOX 2 Room Combining Drop-In 71030:

Part #	Description	Qty.
70001	TEK 2 - TekMonitor	3
10030	TekMonitor Power Supply	3
78001	TekSecurity With 4' RJ12 Cable	3
*78006	TekSecurity Cable for projector	3
78002	SR Occupancy Sensor	3
78038	TEK CB1-A Ceiling Box	3
78036	TEK TSC7 Table Top Cubby	3
79033	TEK 1201-HD Presentation Switcher	3
79040	TEK TPHD402PR HDBaseT receiver	3
78034	TekTouchPad	3
78035	TekTouchPad Wedge	3
79055	MHD44TP Switcher	1
Custom	Room Controlling Software	1

\*TekSecurity cables are ordered for the different types of displays.