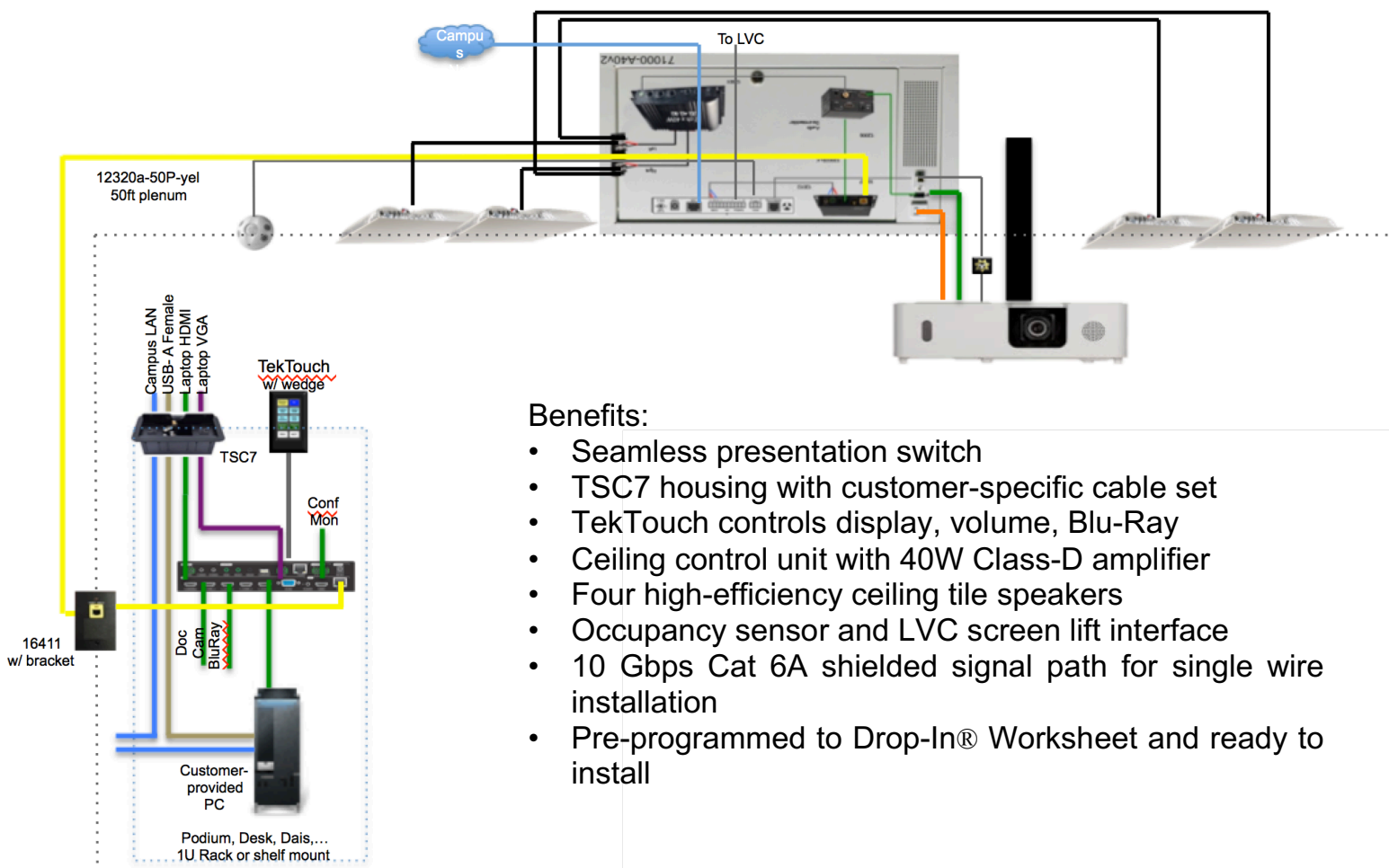


The 71021-DI is constructed around the 71000-A20 integrated ceiling control unit containing HDBaseT receiver, TEK 3 A/V controller and 2 channel x 20W audio amplifier integrated into a 78038 plenum-rated ceiling box. A single Cat 6A shielded plenum-rated cable (provided) connects the ceiling unit to the podium wall plate (also provided). The plenum-rated cable (12350Y-6ASP) and the 78038 are warranted for 10 years. It is essential that proper installation techniques be followed to maintain this warranty.

The presentation switcher has 5 HDMI and 1 VGA inputs, with HDMI and HDBaseT outputs. Control information is carried across the HDBaseT cable to the TekMonitor in the ceiling unit. The pre-programmed TekTouchPad provides simple and consistent room control. All essential cabling for expeditious and consistent installation is included.



Benefits:

- Seamless presentation switch
- TSC7 housing with customer-specific cable set
- TekTouch controls display, volume, Blu-Ray
- Ceiling control unit with 40W Class-D amplifier
- Four high-efficiency ceiling tile speakers
- Occupancy sensor and LVC screen lift interface
- 10 Gbps Cat 6A shielded signal path for single wire installation
- Pre-programmed to Drop-In® Worksheet and ready to install

Contact us for additional information or to find an Authorized TEKVOX Dealer in your area.

11831 Radium Street, San Antonio, TX 78216 | 210.348.6565 o | 713.490.3135 f | tekpatrol@TEKVOX.com | www.TEKVOX.com