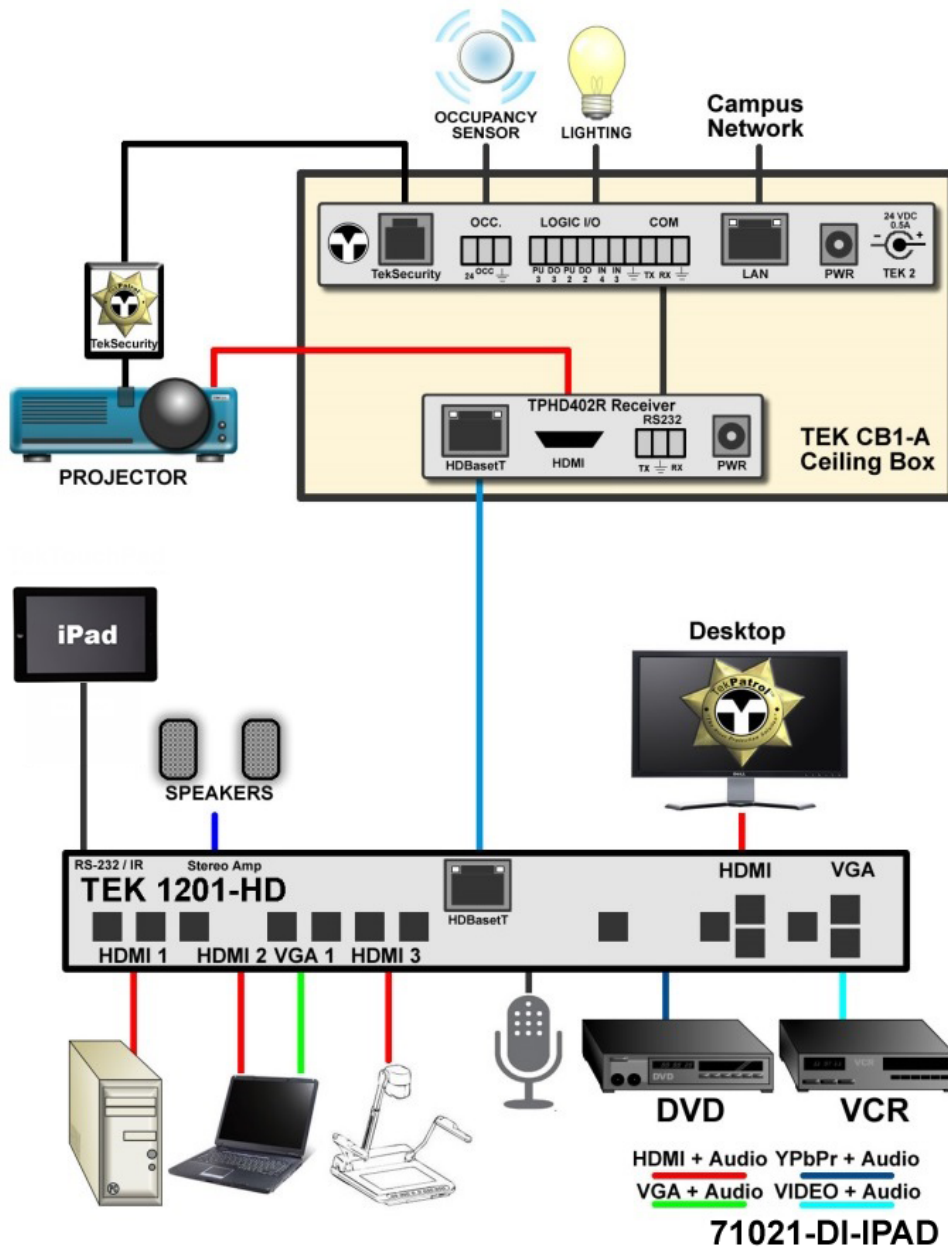


The Single Projection Drop-In® uses a unique presentation switcher with HDBaseT receiver. This presentation switcher has 4 HDMI, 4 VGA, 2 Video, and 1 Component inputs and has HDMI, HDBaseT, and VGA out. Control information is carried across the HDBaseT cable to the TekMonitor in the ceiling box, allowing for only a single Cat 5e cable to be installed into the ceiling box. An iPad is used for user control, and allows for powering on and off the display, selecting PC, Laptop HDMI and VGA, Document Camera, DVD, VCR, Volume control of sources, Volume control of microphones, Picture Mute, and Picture Freeze. Other options such as lighting control can easily be added as well.



Included in an 71021-DI-iPad Single Projection Drop-In:

Part #	Description	Qty.
70001	TekMonitor Room Controller	1
10030	TekMonitor Power Supply	1
78001	TekSecurity With 4' RJ12 Cable	1
*78006	TekSecurity Cable for projector	1
78002	Small Room Occupancy Sensor	1
78038	CB1-A Ceiling Box	1
78036	TSC7 Cable Management Housing	1
79033	Multi-Input Presentation Switch	1
78034	TekTouch	1
78035	TekTouch Wedge	1
	TEKVOX Single-Client Perpetual License	1

*TekSecurity cables are ordered for the different types of displays.