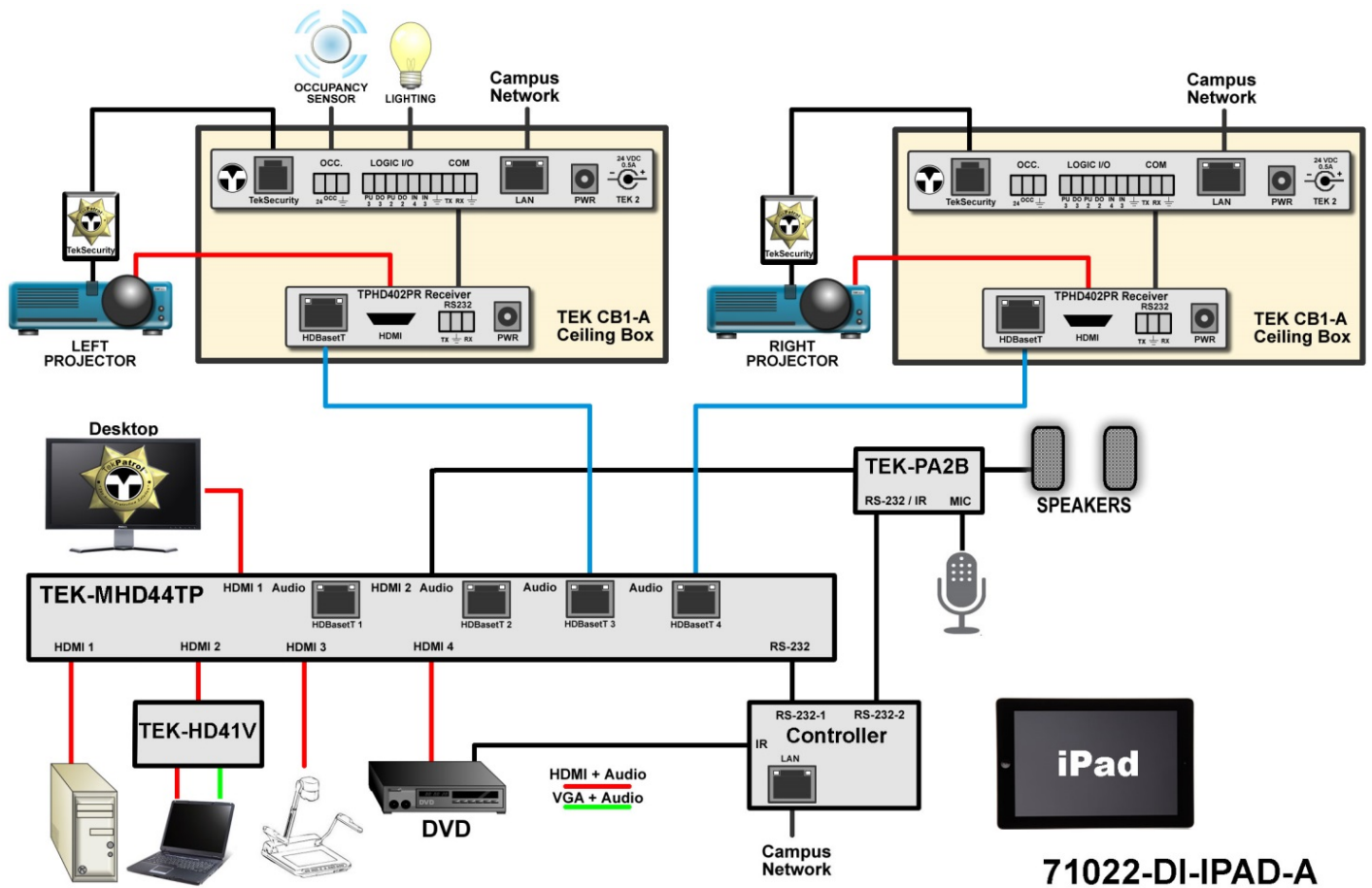


Some instructional spaces and auditoriums prefer to display different content on two separate projectors or have two separate, interactive white boards for students to use. These systems are generally very expensive and depending on the programmer, can be difficult to operate effectively. The TEKVOX Dual Projection Drop-In Solution however, is designed for ease of use and can be administered remotely.

If there is a requirement for a combo deck, it is best to find one with an HDMI up-converter output. If the combo deck uses video and component outputs, you will need to use the 71022 with TEK 1201 to convert and switch the inputs. Modifications to the program include adding a logo and color changes. Other modifications may require fee for service.

Note: The iPad is not supplied by TEKVOX.



71022-DI-IPAD-A

Included in a Dual Projection 71022-DI:

Part #	Description	Qty.
70001	TEK 2 - TekMonitor	2
10030	TekMonitor Power Supply	2
78001	TekSecurity With 4' RJ12 Cable	2
*78006	TekSecurity Cable Projector Cable	2
78002	SR Occupancy Sensor	1
78038	TEK CB1-A Ceiling Box	2
78036	TEK TSC7 Cable Management Housing	1
79055	TEK MHD44TP 4x4 HDBaseT Matrix	1
79056	TEK-HD41V HDNI / VGA Auto-Switch	1
79040	TEK TPHD402PR HDBaseT receiver	2
78040	TEK PA2B Mini Amp + Audio Cable	1
Custom	Dual Projection Controller Plus Software	1
Custom	iPad Software	1

*TekSecurity cables are ordered for the different types of displays.