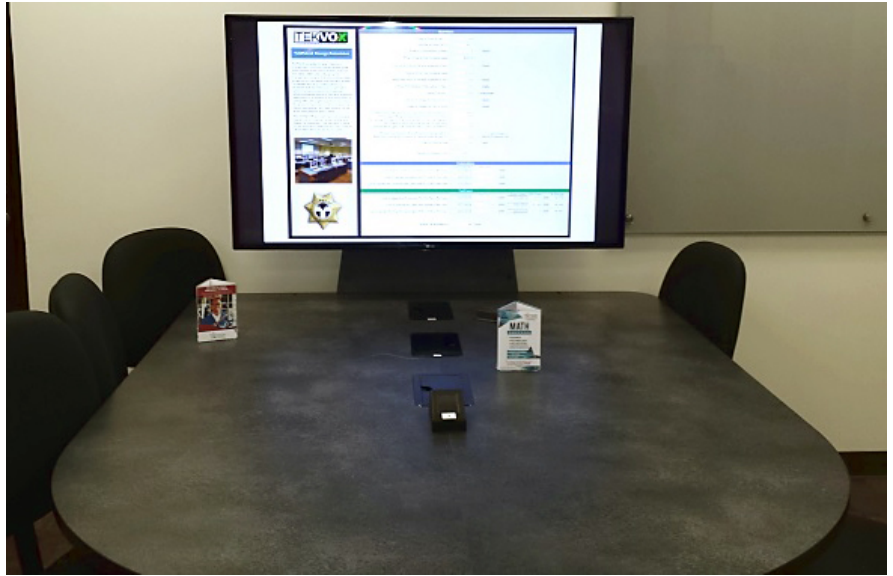


The HD Collaboration Station allows students to work in groups of six while an instructor can view the students' material or send content to them. Each student group consists of a collaboration table called a Student Pod that includes a large screen display, touchscreen controller, and presentation switcher supporting both HDMI and VGA connections. A display is located at one end of this table where the class can view one of the students at the table or see content from an instructor.

The 80124 TEK DI-CP-RT includes the following:

70004	TekMonitor Room Controller	1
10030	TekMonitor Power Supply	1
78001	TekSecurity	1
78008	TekSecurity Cable	1
79033	TEK 1201 Presentation Switcher (Includes HDBT Receiver (79040-N))	1
78034	TekTouch	1
78035	TekTouch Wedge	1
78036	TEK Table Top Cubby	1

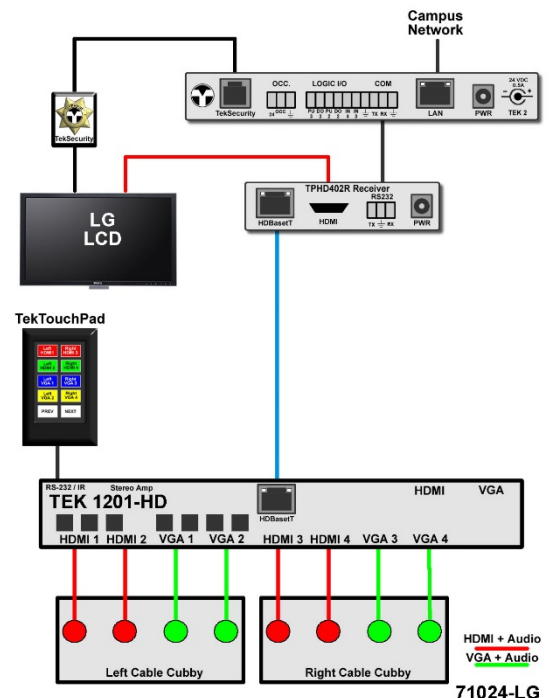


Benefits:

- Easy to install
- Easy to operate
- Fully operational from TEKVOX
- No programming required
- Works with any monitor using RS-232 control
- Allows student connections for HDMI and VGA



Student Touchscreen



71024-LG