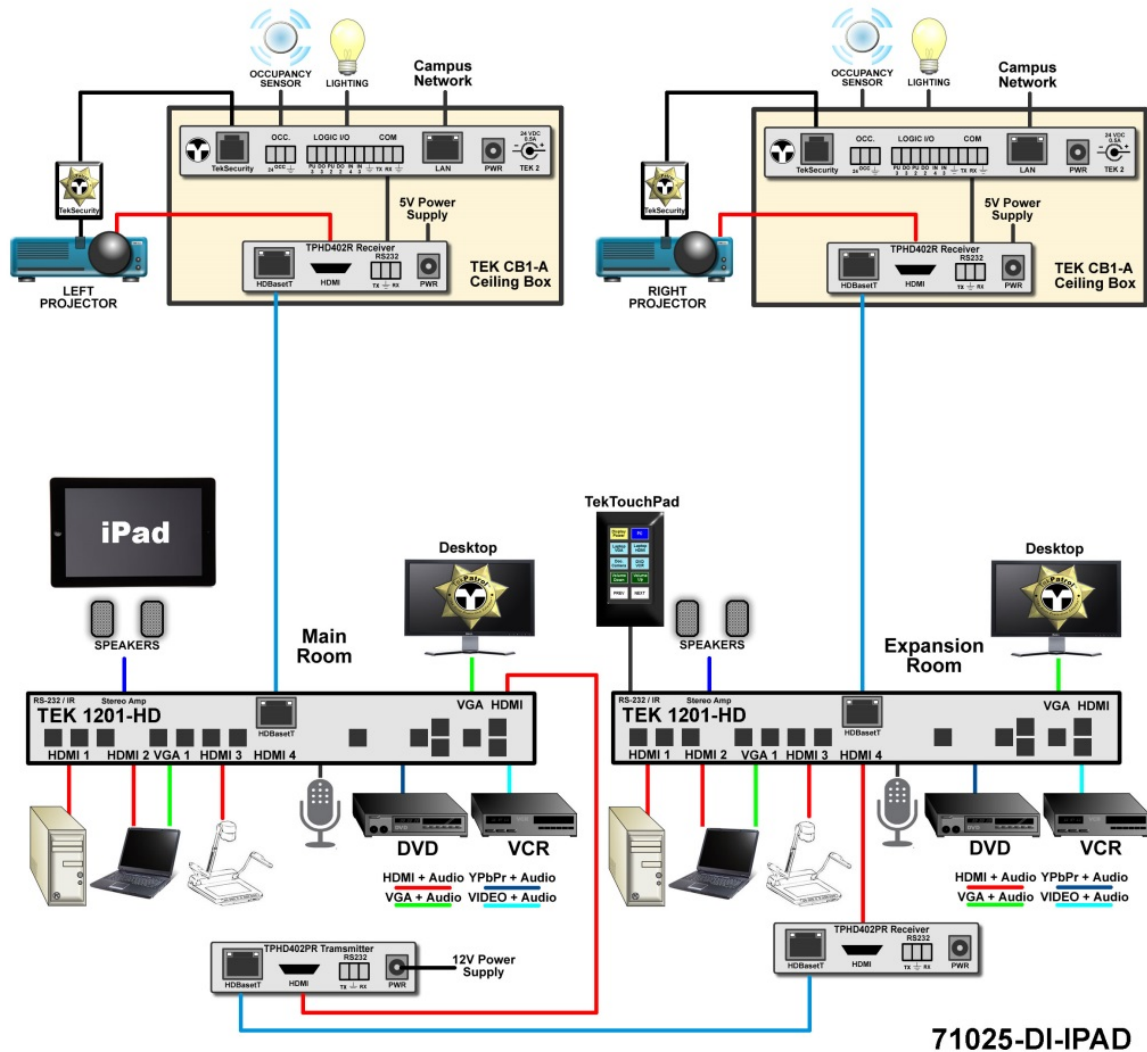


The 71025-DI is a Master/Expansion combining design in which the Master room combines with the Expansion room by connecting the two rooms together. This is done by sending HDMI from the Master room to the fourth HDMI input on the Expansion room's TEK 1201. The iPad in the Master room is the main control for these rooms as it communicates with both of their TEK 2s. The Expansion room on the other hand, is merely a standard classroom with a TekTouch. When the two rooms are combined, the Master room's iPad sends a command to the Expansion room in order to power on its projector. It will then select the fourth HDMI input and set its audio level to 100% via the TEK 1201.



Included in a Standard Classroom 71025-DI:

Part #	Description	Qty.
70001	TEK Monitor	2
10030	TekMonitor Power Supply	2
78001	TekSecurity With 4' RJ12 Cable	2
*78006	TekSecurity Cable for projector	2
78002	Small Room Occupancy Sensor	2
78038	TEK CB1-A Ceiling Box	2
78036	TSC7 Cable Management Housing	2
79033	TEK 1201-HD with receiver	2
78034	TekTouch	1
78035	TekTouch Wedge	1
79040-S	TEK TPHD402P HDBaseT TX/RX	1
Custom	iPad Software	1

\*TekSecurity cables are ordered for the different types of displays.