

The TekTouchPad™ is a simple color touchscreen user interface allowing for easy control of RS-232 type devices. Unlike typical eight-button keypads that require button labels and installing caps, the TekTouchPad is a programmable touchscreen with a logo page plus four programmable control pages. The logo screen will appear for a user-defined period after startup unless touched by the user, causing the unit to proceed to the first control page. Up to four control pages of eight buttons each may be configured for custom use. One of the features the TekTouchPad allows for is an inverted screen selection in software so that it can be mounted upside-down on a wall. This allows for improved viewing of the screen, even if it is mounted at the required ADA 48" height.

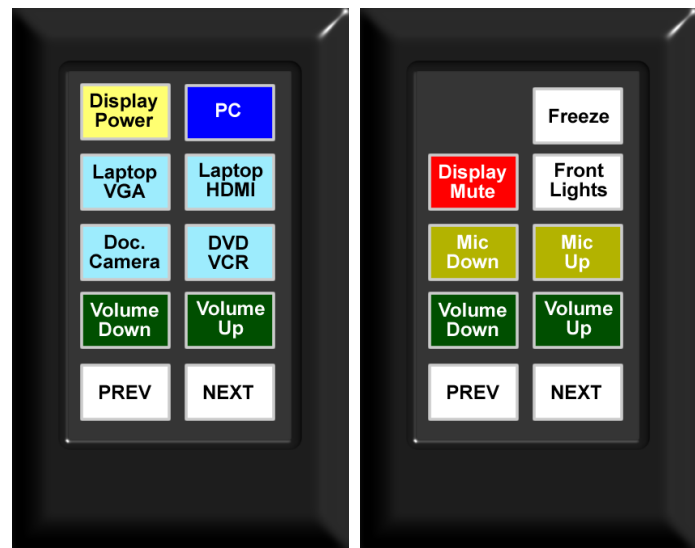
The TekTouchPad is the best solution for simple applications where you may need to use more than just an eight-button keypad. The TekTouchPad is easily configured, and configuration files can be saved and loaded to other units. Mounting of the TekTouchPad is made to a single gang wall box or an optional low cost wedge. To connect the TekTouchPad, use the included breakout cable and power supply or extend it with a straight through RJ-12 6 conductor cable.

Benefits

- Easy to install
- Easy to configure and operate
- Low cost
- Saves Time
- Easy integration with other controllers

Features

- 1.5"x2.5" viewing area
- 240x400 resolution
- 16 bit color display
- Logo page with four programmable button pages
- Programmable button scripts
- Save and Load configuration files
- RS-232 port
- Logic output port
- Optional wedge (78035)
- Inverted screen selection for wall mount and ADA compliance

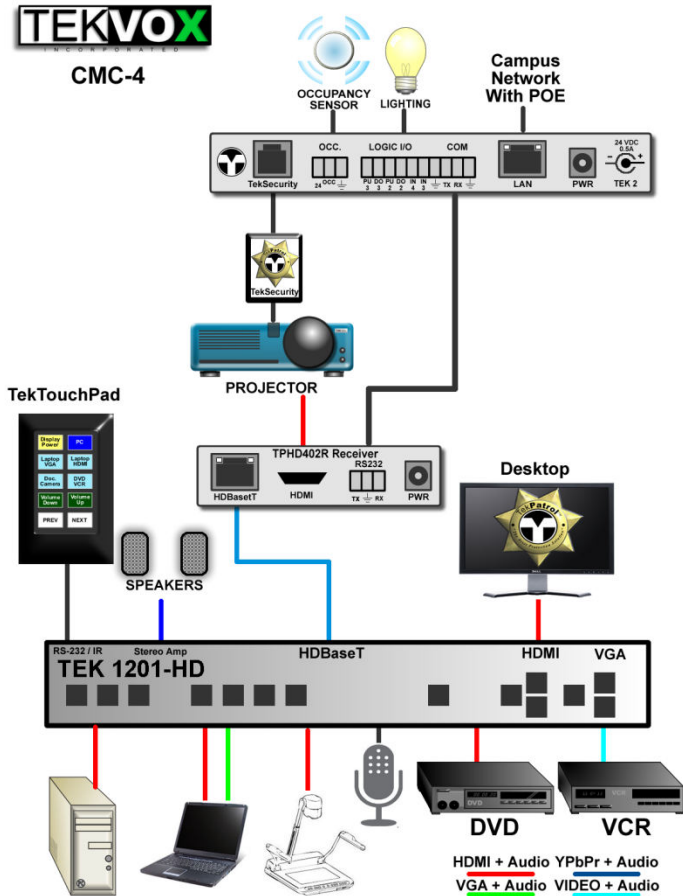


First Page

Second Page

Application

When used with our TEK 1201 and TEK 2, a very impressive mediated classroom can be configured. In addition, a custom logo page may be added indicating the campus. In this system, the TekTouchPad only needs to connect to the RS-232 port on the TEK 1201 which will allow you to fully control the system and projector with just one cable. The TekTouchPad will even provide true feedback for the buttons.



Device Specifications

Model	TekTouchPad (78034)
LCD	a-Si color TFT LCD, Normally white type
Screen Size	3.0 inch WQVGA
Display Format	240*RGB*400 Stripe type
Backlight	White LED
Viewing Direction	12 O'clock
LCD Active Area	1.53"x2.55"
Viewing Area	1.5"x2.5"
Control Interface	RS-232 and Logic Out or TekLink
Voltage Range	12-35 Volts DC
Average Current	35ma
Temperature and humidity	0-60 °C(Temperature), 0-95% RH
Size	W: 2.77 in / H: 4.28 in / D:.73
Weight	0.2 lbs / 1.00 lbs (Package)

Specifications are subject to change without notice.

