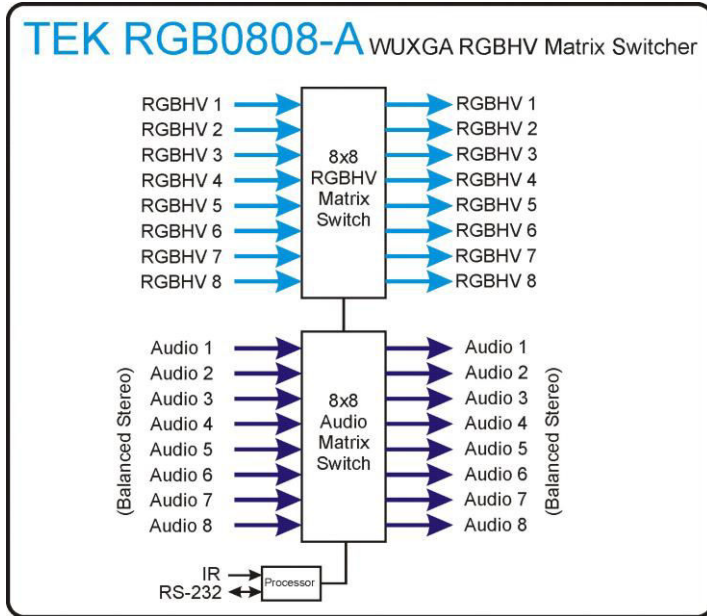


The TEK RGB0808-A is a low-cost, Wide Bandwidth RGBHV matrix switcher with features that allow for easy integration and operation. This matrix switcher sends WUXGA sources to multiple displays or video-conferencing applications.



Features

- Supports eight RGBHV inputs and eight RGBHV outputs
- Balanced stereo audio connections
- Break away audio
- IR remote control
- RS-232 control port
- 10 programmable presets

Benefits

- Easy to install
- Easy to operate
- Simple IR or RS-232 control
- Low cost



Device Specifications

Inputs

RGBHV

Bandwidth 450 MHz (Supports 1920x1200)
(-3 dB), fully loaded

Crosstalk 50dB@5Mhz, 45dB @10MHz

Switching Speed 200ns

Nominal level..... 1.0 Vp-p

Max level 2.0 Vp-p

Impedance 75 ohms

Audio

Connector..... Balanced Stereo (Phoenix)

General

Power.....110-240VAC, 47/63 Hz, 60 watts,

Temperature/humidityStorage -40° to +158°F (-40° to +70°C)
/10% to 90%

Non-Condensing Operation+32° to +122°F (0° to +50°C) /10% to 90%

Enclosure typeMetal

Enclosure dimensions.....6.30" H x 19.1" W x 9.84" D
/ mm 160 H x 485 W x 250 D

Product weight9.92 lbs (4.5 kg)

Shipping weight

MTBF30,000 hours

Warranty1 year parts and labor

Specifications are subject to change without notice.

