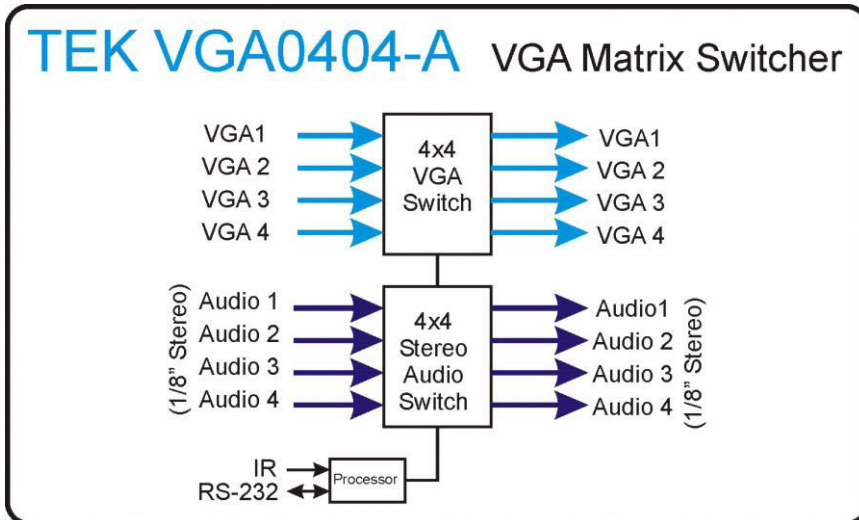


The TEK VGA0404-A is a low cost VGA matrix switcher with features that allow for easy integration and operation. This matrix switcher will send VGA sources to multiple displays or in videoconferencing applications.



Features

- Supports four VGA inputs and four VGA outputs
- 1/8" stereo audio connections
- Break away audio
- IR remote control
- RS-232 control port
- 10 programmable presets

Benefits

- Easy to install
- Easy to operate
- Simple IR or RS-232 Control
- Reduces rack space



Device Specifications

Inputs		General	
VGA		Power.....	110-240VAC, 47/63 Hz, 20 watts,
Bandwidth	250 MHz (Supports 1600x1200)	Temperature/humidity	Storage -40° to +158°F (-40° to +70°C)
	(-3 dB), fully loaded		/10% to 90%
Crosstalk	50dB@5MHz, 45dB @10MHz	Non-Condensing operation.....	+32° to +122°F (0° to +50°C) /10% to 90%
Switching speed.....	200ns	Enclosure type	Metal
Nominal level.....	1.0 Vp-p	Enclosure dimensions.....	1.75" H x 19.1" W x 9.1" D
Max level	2.0 Vp-p		/ mm 44.5 H x 485 W x 230 D
Impedance	75 ohms	Product weight	3.30 lbs (1.5 kg)
Audio		Shipping weight	11.46 lbs (5.2 kg)
connector	1/8" Stereo	MTBF	30,000 hours
		Warranty	1 year parts and labor

Specifications are subject to change without notice.

